

**Complete  
Cataract Competence.**

**OPMI® VISU 140.**



We make it visible.

# OPMI® VISU 140.

**Straightforward - Functional  
- Economical.**



OPMI® VISU 140 – it's everything a cataract specialist needs today:

- Ready for use in a matter of seconds
- Bright, high-contrast red reflex
- Zoom, focus and XY coupling – motorized for hands-free operation
- Achromatically corrected main objective lens and zoom optics
- Accessories for co-observation, video and photo documentation
- Compact design for integration into almost any environment

In other words: Straightforward – Functional – Economical.



# The centerpiece of your clinic.

The S7 floor stand –  
winner of the European Red Dot Design Award.

The compact design (height: 173 cm) of the stand  
enables optimum mobility while the long arm  
(radius: 120 cm) creates a generous working range.  
Four casters and the grip in the center of the column  
enable movement accurate to the millimeter.

You can control brightness, operate the camera or  
video accessories, reset the X-Y coupling and focus  
all with the foot control panel.

**The fine details.** OPMI® VISU 140 features auto-  
matic bulb exchange in the illumination module in  
case of bulb failure during surgery.

**Everything under control.** You and your OR  
personnel can easily regulate the speed of the zoom,  
focus and X-Y movements with the simple push of a  
button.

**Ergonomically designed with your needs in  
mind.** The handgrips facilitate easy positioning of  
the microscope system. The asepsis caps ensure that  
sterile conditions are maintained.

**Back to go.** The push of a button returns both the  
X-Y coupling and focus to their original starting  
position.

**Less is more.** The S7 floor stand was designed with  
your work space in mind. It is small enough to allow  
for placement of your other OR equipment.





1

2

5



Accessories: No two surgeons operate alike. Simply configure the system to meet your needs.

**For small rooms.** The S7 ceiling mount offers the same capabilities as the S7 floor stand. Two versions are available – with a rigid column or with a lifting column.

Advantage: at the turn of a knob the surgical microscope moves into the park position.

## For those who expect more.

**For a different point of view.** OPMI® VISU 140 can be equipped with a 180° tiltable tube.

**Four eyes are better than two.** The stereo co-observation tube for your assistants. You can simultaneously connect a video camera.

**For digital snapshots.** Create single pictures during video recording – for example, for archiving in patient files or for presentations. With the MediLive™ ImageBox™, it's as easy as pushing a button.

**For digital videos.** MediLive™ MindStream allows you to be director, cameraman and editor all in one. In addition, you can create and edit digital still images.



2



3



4



5



# Specifications.

## Surgical microscope

---

Apochromatic optics with T\* multi-coating

---

Motorized zoom system.  
Zoom ratio 1:6,  $\gamma=0,4$  to 2.4

---

Focusing range: 50 mm, re-center with the push of a button  
Binocular tube: 45° inclined  
(optional 0-180° tiltable)

---

Eyepieces: 12.5x (10x optional)

---

Objective lens: f=200 mm (f=175 mm optional)

## X-Y coupling

---

Adjustment range: 40 mm x 40 mm

---

Key for initial position of the X-Y coupling and focus

## Weight

---

OPMI® VISU 140 (with 45° inclined tube, w/o accessories) 8.4 kg (18.5 lbs)

	12.5x Eyepiece Objective lens f=200 mm	12.5x Eyepiece Objective lens f=175 mm	10x Eyepiece Objective lens f=200 mm	10x Eyepiece Objective lens f=175 mm
Total magnification*	4.3x – 25.5x	4.9x – 29.1x	3.4x – 20.4x	3.9x – 23.3x
Field of view diameter*	8.6 mm – 51.8 mm	7.5 mm – 45.3 mm	10.0 mm – 60.6 mm	8.8 mm – 53.0 mm

\* rounded

## Illumination

---

Integrated 408 nm UV cut-off filter

---

Swing-in GG475 filter to reduce blue ratio

---

Swing-in KK40 daylight filter in suspension system

---

Fiber light guide 12 V,  
100 W halogen bulb as light source

---

Automatic exchange following bulb failure

---

Option: swing-in fluorescence filter in suspension system

## Suspension systems

---

S7 floor stand

S7 ceiling mount with lifting column

S7 ceiling mount with rigid column

## Compliance

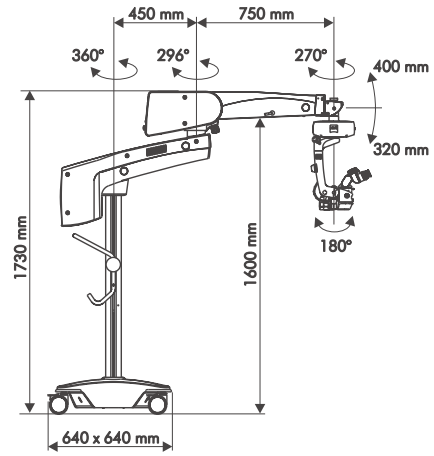
---

DIN EN ISO 9001: 2000  
ISO 13485

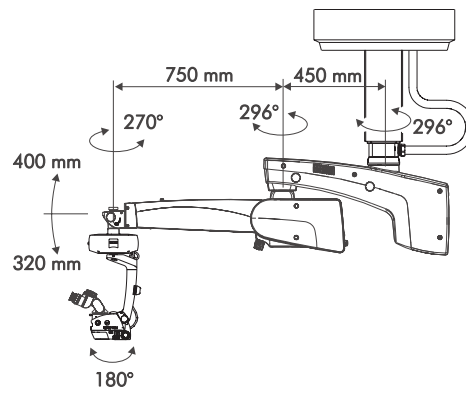




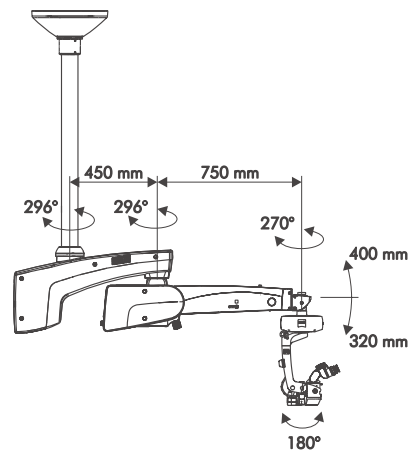
S7 floor stand

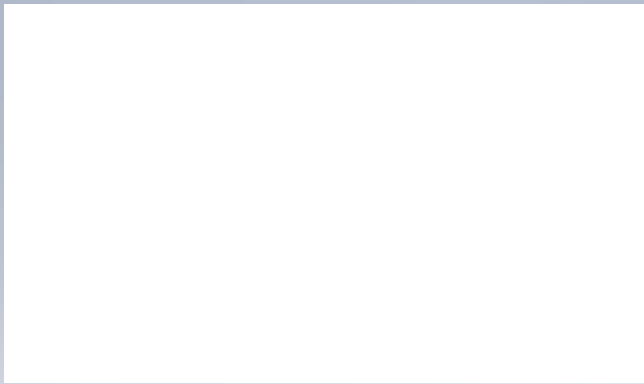


S7 ceiling mount with lifting column



S7 ceiling mount with rigid column





**Carl Zeiss**  
Surgical Products  
Division

73446 Oberkochen  
Fax: ++49 (0) 73 64/20-48 23  
email: [surgical@zeiss.de](mailto:surgical@zeiss.de)  
[www.zeiss.de/eye](http://www.zeiss.de/eye)