

Stay Flexible.

OPMI® VISU 160.



We make it visible.

OPMI® VISU 160.

**As Multifaceted as the Challenges of
Ophthalmic Surgery.**





OPMI® VISU 160 was designed specifically for hospitals that perform a broad spectrum of ophthalmic surgical procedures.

The versatile configuration and accessory options are perfectly tailored to meet the needs of the surgeon:

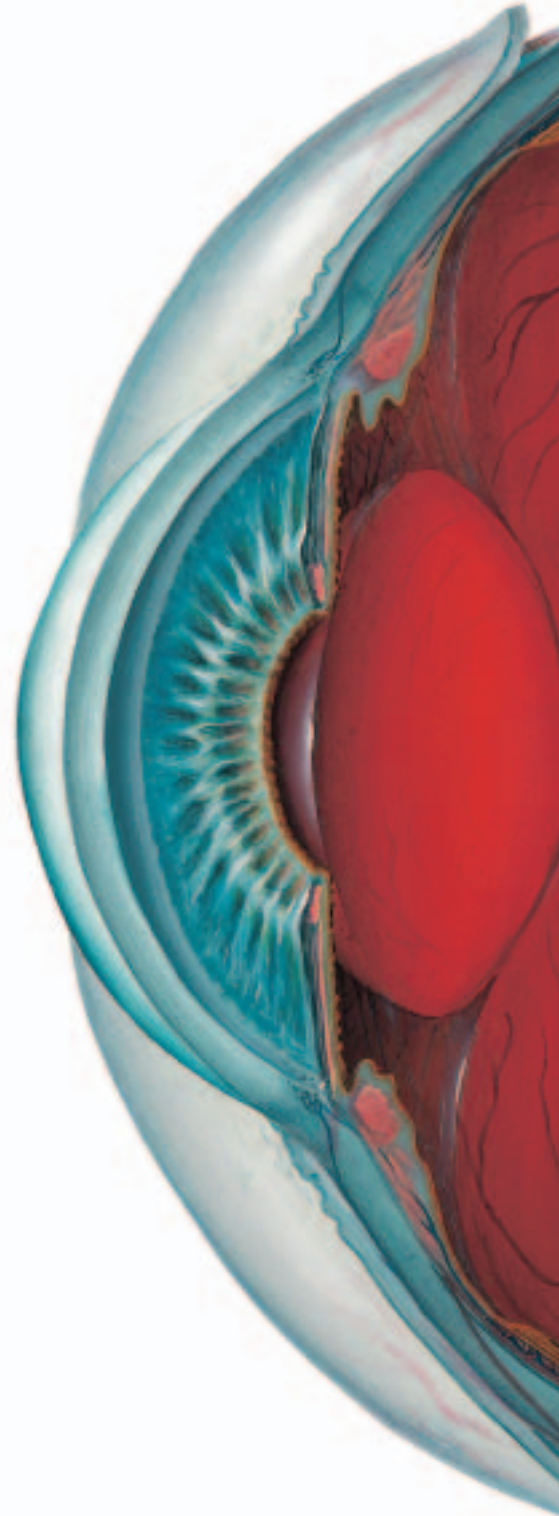
- DeepView, the new depth of field management system that allows you to choose between optimized depth perception or maximum light transmission.
- Integrated slit illumination for true retro-illumination during lens extraction, for example.
- Ergonomic handgrips for precise positioning.
- Fully apochromatically corrected optics.
- With BrightFlex™ illumination, consisting of 2° and fading 6° illumination, for an excellent red reflex and outstanding light conditions in all situations.
- Extensive array of accessory options, such as co-observation, video and digital recording/editing systems.

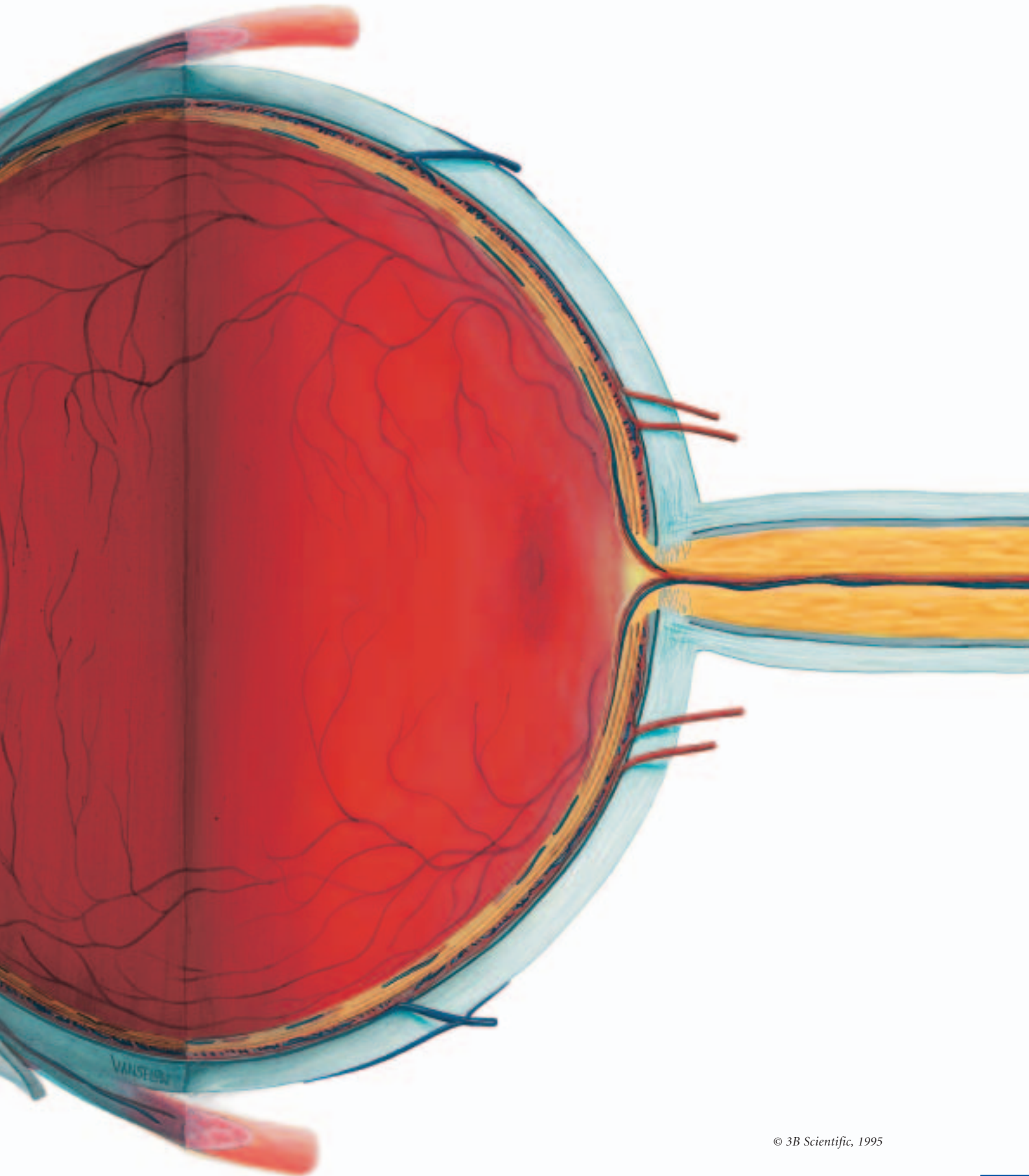
DeepView. You're in control.

DeepView is a new, unique concept in surgical microscopes, offering both versatility and total control.

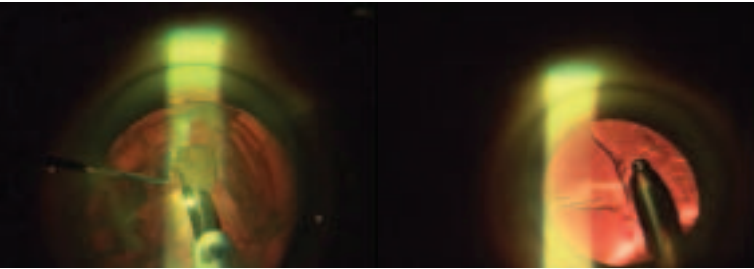
At the push of a button, the surgeon chooses what type of view will be seen through the microscope.

Activate DeepView for optimum depth perception at all magnification levels. Deactivate DeepView for the brightest, clearest resolution even at low light intensities.





Integrated Slit Illumination. Another fresh perspective.



OPMI® VISU 160 is equipped with integrated slit illumination. This innovative feature offers exceptional, contrast-rich detail recognition. It provides true retro-illumination during lens extraction, for example.

Images: Joseph F. Gravlee, Jr., M.D., Fairhope, AL, USA

Seeing Is Believing.

(1) **Four eyes are better than two.**

Observation via the stereo co-observation tube; the flexible viewing solution for assistants and students.

(2) **For picture-perfect documentation.**

Videos are facts in motion. Carl Zeiss provides video cameras for a wide range of requirements and budgets, from single chip cameras to the latest advancements in video technology.

(3) **Presentation and documentation made easy.**

At the push of a button, the MediLive™ ImageBox™ allows you to capture still images during video recording and save them digitally on a CD-ROM. Perfect for presentations or for patient files.

(4) **Simply stunning.**

The new MediLive™ MindStream continuously records operations – up to 120 hours of streaming video. With MediLive™ MindStream you can:

- Simultaneously save your recordings to the hard drive and DVD (or CD-ROM).
- Easily find sequences important to your presentation and extract them as video clips.
- Save single video images as digital stills.
- Quickly save video and stills to your USB stick after editing.

Plus it provides excellent quality and crisp detail.



4



3



The Long Arm of the OPMI® VISU 160.





The S7 floor stand, winner of the prestigious European Red Dot Award for design quality, and its counterpart, the S7 ceiling mount.

Floorstand vs. Ceiling Mount...

Which of the two is a better fit depends on your personal requirements and how much space is available in your operating room. One feature, however, is common to both: the extraordinary reach of the S7 arm (120 cm radius).

(1) Custom fit.

Easily adjust the speed of the zoom, focus and X-Y movements to your requirements. Your settings are automatically saved. Changes during the procedure? As easy as the touch of a button!

(2) Efficiency is within reach.

Operating room personnel can easily position the surgical microscope. The suspension arm can be effortlessly moved and reliably secured.

(3) Details that matter.

An operation should never be interrupted because of a burned-out bulb. Main halogen light suddenly burns out? No problem, the S7 system automatically switches to the back-up bulb.

(4) Free-wheeling.

All four wheels on the S7 floorstand move independently, making millimeter-exact maneuvering feel like child's play.

Technical data.

Surgical microscope

Apochromatic optics with
T* anti-reflex multi-coating.

Motorized zoom system.
Zoom ratio 1:6, $\gamma=0.4$ to 2.4.

Focusing range: 50 mm

Binocular tube: 0-180° tiltable
(45° inclined optional)

Eyepieces: 12.5x (10x optional)

Objective lens: f=200 mm (f=175 mm optional)

DeepView depth of field management system

X-Y coupling

Adjustment range 40 mm x 40 mm

Key for initial position of the X-Y coupling
and focus

Illumination

BrightFlex™ illumination:

- 6° illumination, continuous fading
- +2° illumination for red reflex

Integrated slit illumination

Vertical: width 2.5 mm

Horizontal: width 2.5 mm and 5 mm, movable

Integrated 408 nm UV cut-off filter

Swing-in GG475 filter to reduce blue portion

Swing-in KK40 daylight filter in suspension system

Scleral glare reduction filter

Fiber light guide

12 V halogen bulb, 100 W as light source

Automatic exchange following bulb failure

Optional: swing-in fluorescence filter in suspension system

	12.5x Eyepiece	12.5x Eyepiece	10x Eyepiece	10x Eyepiece
Objective lens	f=200 mm	f=175 mm	f=200 mm	f=175 mm
Total magnification*	4.3x – 25.5x	4.9x – 29.1x	3.4x – 20.4x	3.9x – 23.3x
Field of view diameter*	8.6 mm – 51.8 mm	7.5 mm – 45.3 mm	10.0 mm – 60.6 mm	8.8 mm – 53.0 mm

* rounded

Weight

OPMI® VISU 160
(with 0-180° tiltable tube, w/o accessories)
9.4 kg (20.7 lbs)

Suspension systems

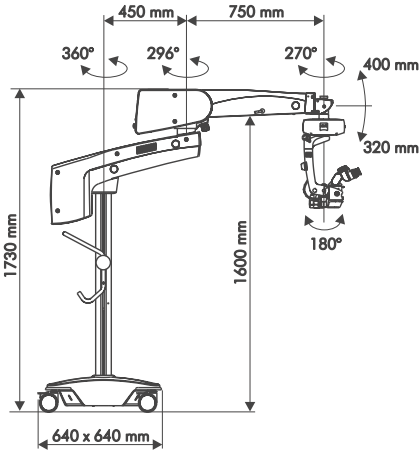
S7 floor stand
S7 ceiling mount with lifting column,
S7 ceiling mount with rigid column

Compliance

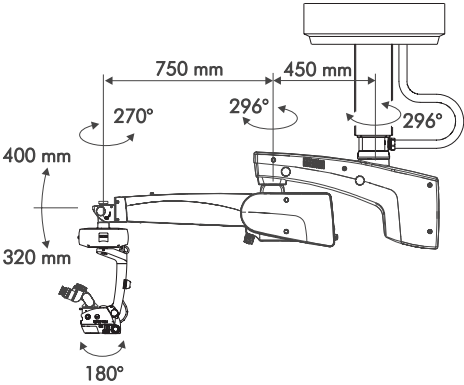
DIN EN ISO 9001: 2000
ISO 13485



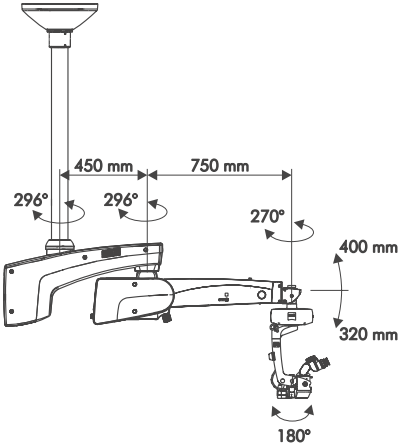
OPMI® VISU 160/S7
floor stand

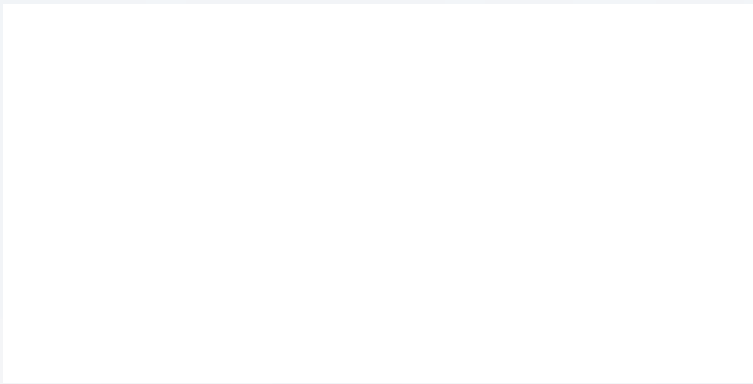


OPMI® VISU 160/S7
ceiling mount with lifting column



OPMI® VISU 160/S7
ceiling mount with rigid column





Carl Zeiss Surgical GmbH

73446 Oberkochen

Germany

Fax: +49 (0) 73 64/20-48 23

Email: surgical@zeiss.de

www.zeiss.com/eye